

Arla A1

General notes

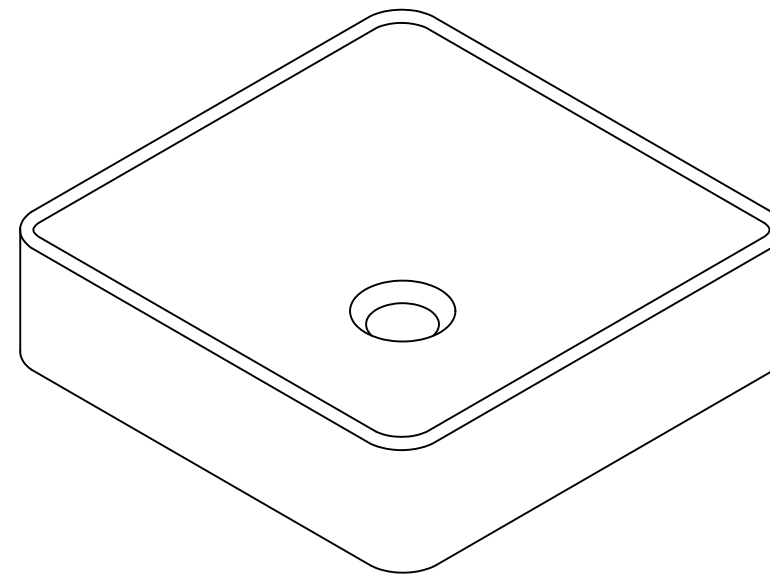
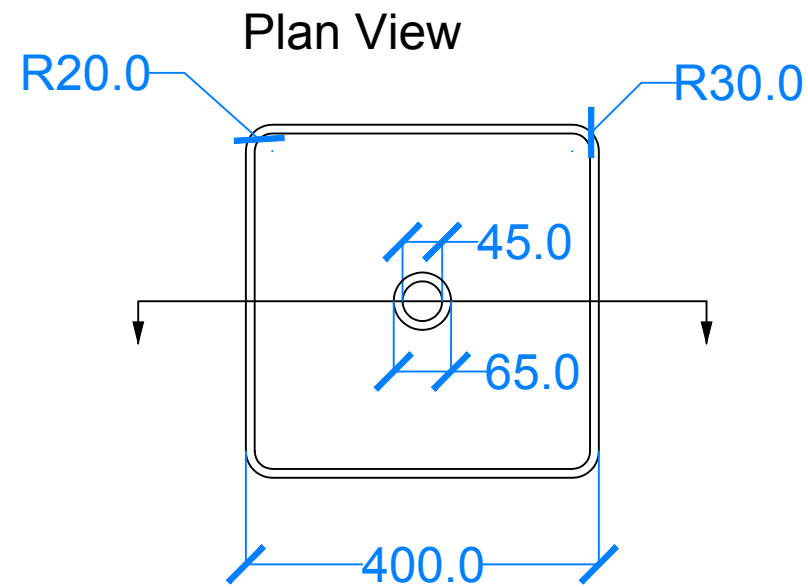
Kast work to tolerances of +/-5mm, Joints 3-5mm, vertical deflection 3mm per linear meter. It is the responsibility of the recipient (client) to check all dimensions are correct and confirm prior to manufacture. Kast will manufacture from only from these drawings on receipt of client confirmation and takes no responsibility for incorrect dimensions and measurements not reported. This drawing is to be viewed in conjunction with all other contract documentation and specifications and all other consultants drawings. All dimensions should be checked and any discrepancies notified to Kast prior to proceeding with works any discrepancies found between this drawing and other documents should be referred immediately to Kast. The author takes no responsibility for any dimensions obtained by scaling from this drawing.

-Surface mounted Basin.
-Can be supplied with taps, traps and wastes

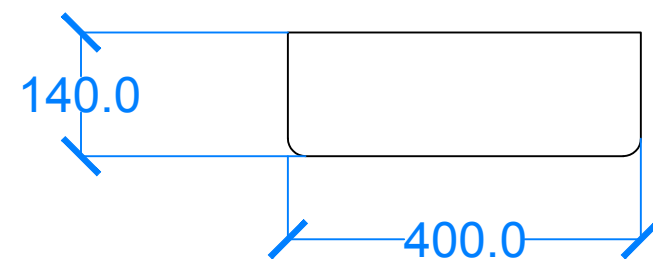
Basin Description
L400 x W400 x H140 mm
10mm walls

Drawn by GR	Scale NA	Basin Code AR.A1
----------------	-------------	---------------------

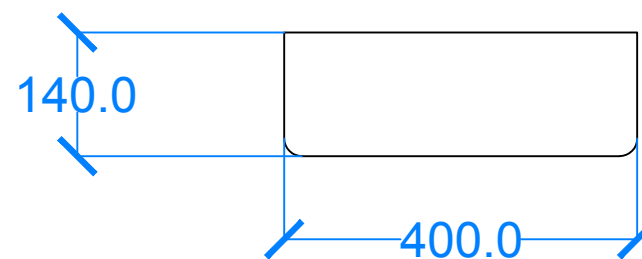
Kast
concrete basins



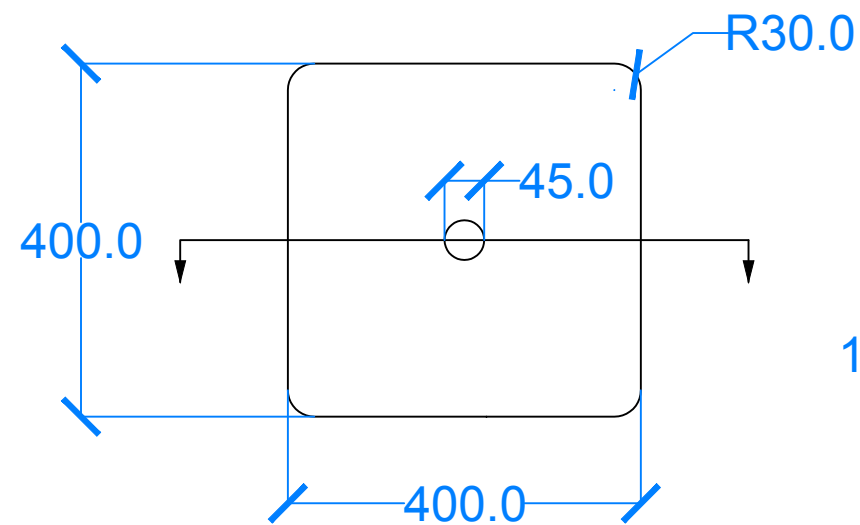
Front View



Side View



Underside View



Section A-A

